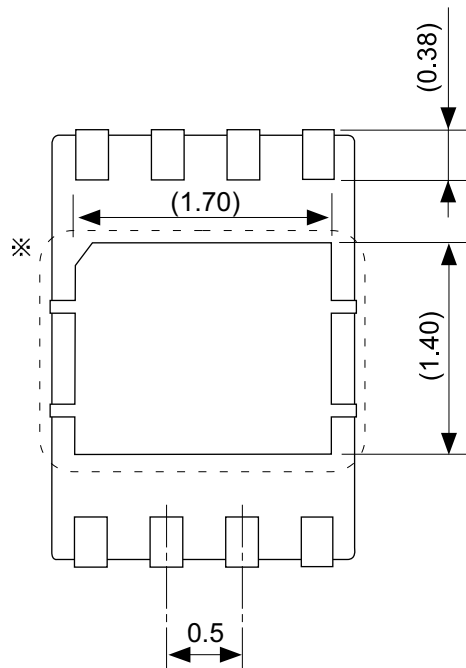
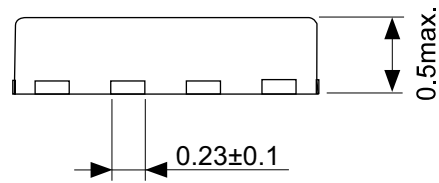
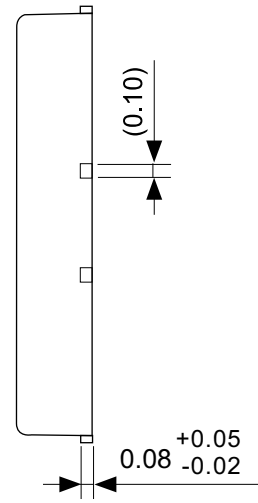
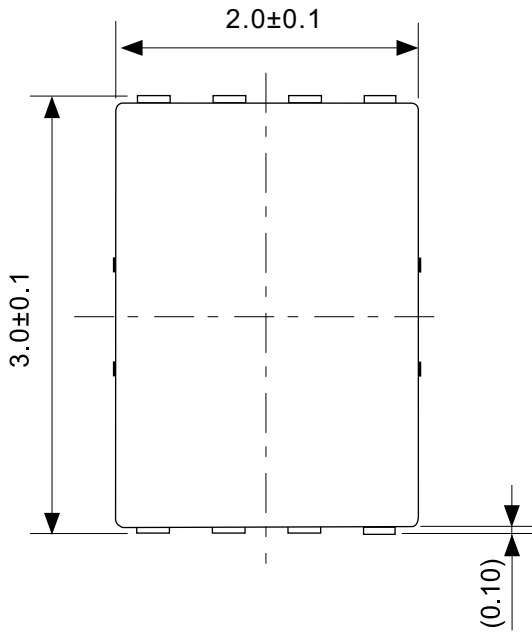


No. PP008-A-P-SD-1.1

※ The heat sink of back side has different electric potential depending on the product.
 Confirm specifications of each product.
 Do not use it as the function of electrode.

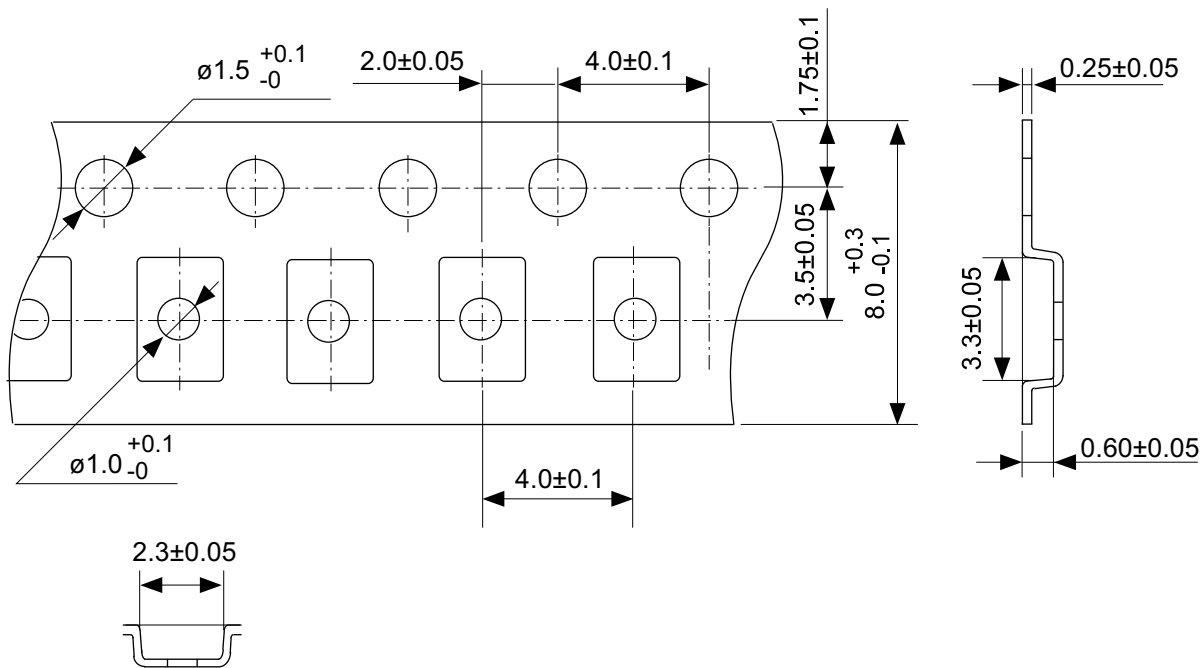
TITLE	DFN-8/HSNT-8-A-PKG Dimensions
No.	PP008-A-P-SD-1.1
SCALE	
UNIT	mm
SII Semiconductor Corporation	

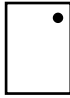


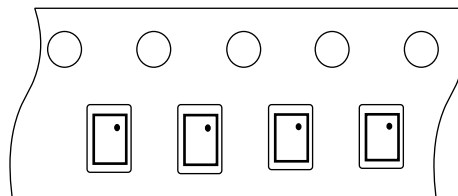
No. PP008-A-P-S1-1.1

※ The heat sink of back side has different electric potential depending on the product.
 Confirm specifications of each product.
 Do not use it as the function of electrode.

TITLE	DFN-8/HSNT-8-A-PKG Dimensions
No.	PP008-A-P-S1-1.1
SCALE	
UNIT	mm
SII Semiconductor Corporation	



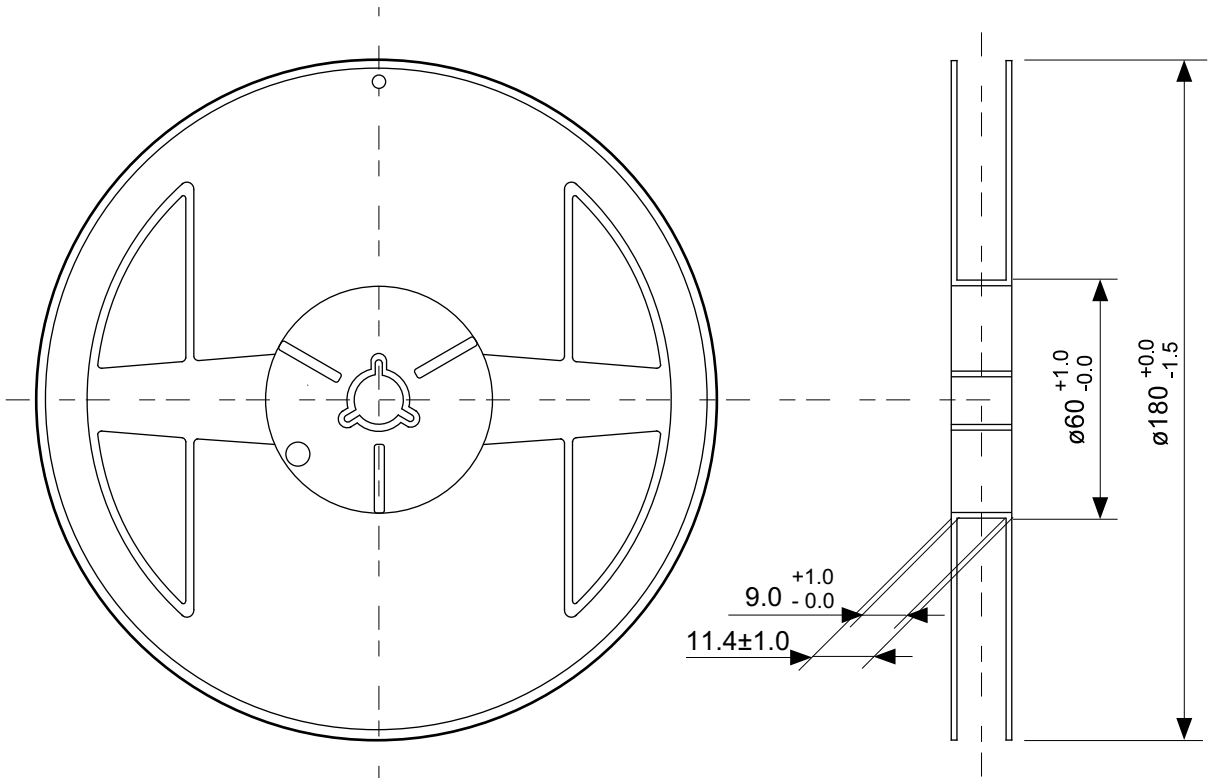
4 3 2 1

 5 6 7 8



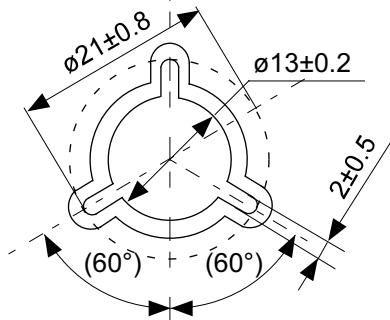
→
 Feed direction

No. PP008-A-C-SD-1.0

TITLE	DFN-8/HSNT-8-A-Carrier Tape
No.	PP008-A-C-SD-1.0
SCALE	
UNIT	mm
SII Semiconductor Corporation	

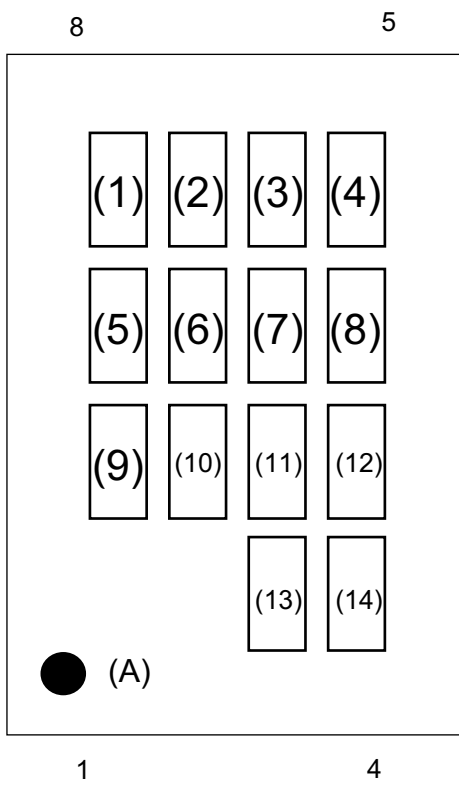


Enlarged drawing in the central part



No. PP008-A-R-SD-1.0

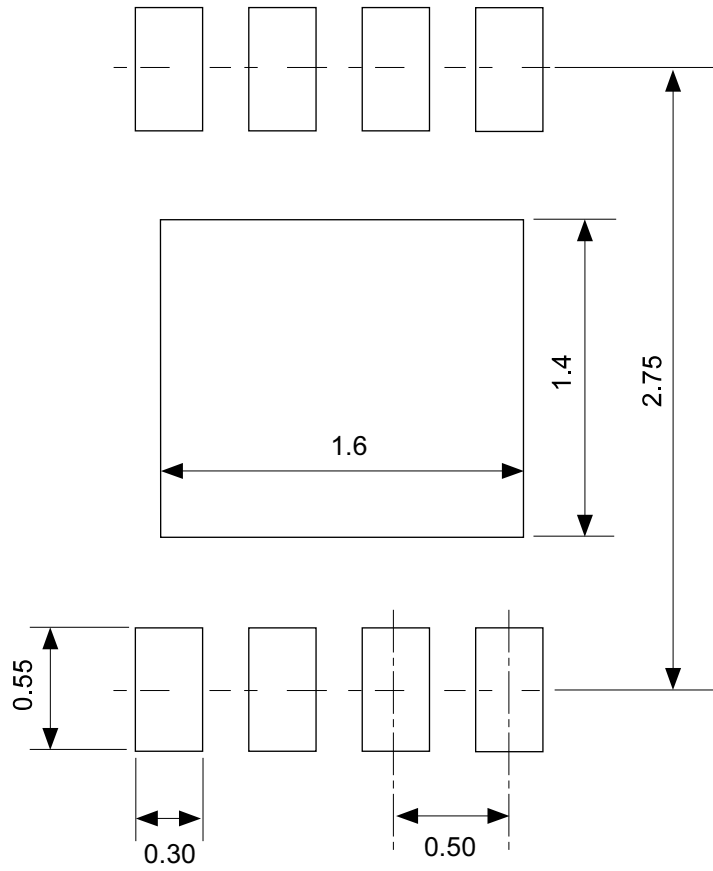
TITLE	DFN-8/HSNT-8-A-Reel		
No.	PP008-A-R-SD-1.0		
SCALE		QTY.	5,000
UNIT	mm		
SII Semiconductor Corporation			



- (1) to (8) : Product code
- (9) : Assembly code
- (10) : Year of assembly
- (11) : Month of assembly
- (12) to (14): Lot No. code
- (A) : 1 Pin mark

No. PP008-A-M-SD-1.0

TITLE	DFN-8/HSNT-8-A-Markings
No.	PP008-A-M-SD-1.0
SCALE	
UNIT	
SII Semiconductor Corporation	



No. PP008-A-L-SD-1.0

TITLE	DFN-8/HSNT-8-A -Land Recommendation
No.	PP008-A-L-SD-1.0
SCALE	
UNIT	mm
SII Semiconductor Corporation	